

X100[®] ALLOY SCREW PIN LONG REACH SHACKLE

BY **ADVANTAGE**
SALES & SUPPLY CO., INC.

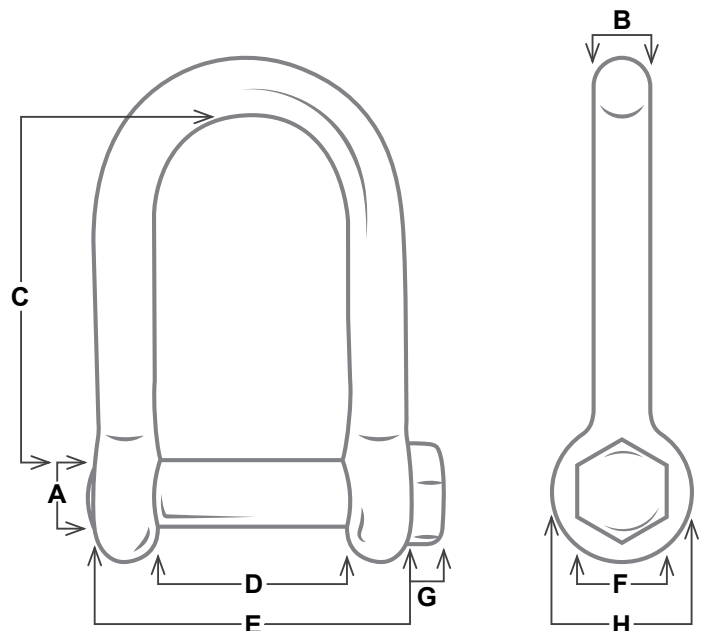


APPROVED FOR OVERHEAD LIFTING

- Approved for Overhead Lifting
- Meets ASME B30.26 Requirements
- 100% Forged Alloy Steel
- Design Factor of 5:1
- Markings: X100 Brand, Size, Working Load Limit, Traceability
- Extended Bow: Designed for lifting applications that require an extended reach to connect to pick points
- Easily recognizable X100 **BLAZE ORANGE** Powder Coated which provides protection from corrosion, and enables full exposure of identification markings
- Hot Dip Galvanized prior to **BLAZE ORANGE** Powder Coating provides superior corrosion resistance
- Load must be evenly distributed over entire pin
- To achieve full Working Load Limit, 80% minimum pin coverage is required
- NEVER Side Load or Point Load Pins or Bodies

| STOCK NUMBER | SIZE | WORKING LOAD LIMIT (TONS) | DIMENSIONS | | | | | | | | WEIGHT/PIECE (LBS.) | QTY/BOX |
|--------------|--------|---------------------------|------------|-------|-------|-------|-------|-------|-------|-------|---------------------|---------|
| | | | A | B | C | D | E | F | G | H | | |
| XLRSP625 | 5/8" | 3-1/2 | 0.75" | 0.63" | 4.00" | 2.25" | 3.55" | 1.06" | 0.35" | 1.58" | 2 | 20 |
| XLRSP750 | 3/4" | 5 | 0.88" | 0.75" | 5.00" | 2.75" | 4.25" | 1.25" | 0.39" | 1.81" | 3.2 | 10 |
| XLRSP100 | 1" | 9-1/2 | 1.00" | 1.00" | 5.50" | 3.25" | 5.25" | 1.37" | 0.47" | 2.38" | 6.2 | 6 |
| XLRSP1250 | 1-1/4" | 14 | 1.38" | 1.25" | 6.25" | 3.88" | 6.37" | 1.94" | 0.59" | 3.06" | 12 | 4 |
| XLRSP1500 | 1-1/2" | 17 | 1.50" | 1.50" | 7.00" | 4.50" | 7.48" | 2.16" | 0.66" | 3.50" | 19.2 | 2 |
| XLRSP1750 | 1-3/4" | 25 | 2.00" | 1.75" | 8.00" | 5.25" | 8.75" | 2.70" | 0.80" | 4.00" | 30.4 | 1 |

Ultimate Load is 5 Times the Working Load Limit



DO NOT EXCEED WORKING LOAD LIMIT.

X100 by **ADVANTAGE** | www.AdvantageSales.biz | 800-216-2183

X100[®] ALLOY BOLT TYPE LONG REACH SHACKLE

BY **ADVANTAGE**
SALES & SUPPLY CO., INC.



APPROVED FOR OVERHEAD LIFTING

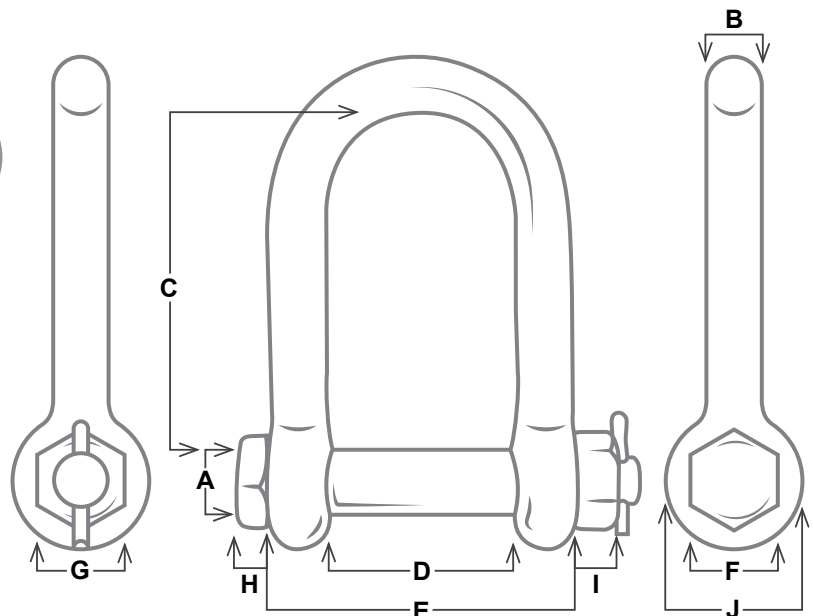


Includes Bolt, Nut, and Cotter Pin

- Approved for Overhead Lifting
- Meets ASME B30.26 Requirements
- 100% Forged Alloy Steel
- Design Factor of 5:1
- Markings: **X100** Brand, Size, Working Load Limit, Traceability
- Extended Bow: Designed for lifting applications that require an extended reach to connect to pick points
- Easily recognizable **X100 BLAZE ORANGE** Powder Coated which provides protection from corrosion, and enables full exposure of identification markings
- Hot Dip Galvanized prior to **BLAZE ORANGE** Powder Coating provides superior corrosion resistance
- Load must be evenly distributed over entire pin
- To achieve full Working Load Limit, 80% minimum pin coverage is required
- NEVER Side Load or Point Load Pins or Bodies

| STOCK NUMBER | SIZE | WORKING LOAD LIMIT (TONS) | DIMENSIONS | | | | | | | | | | WEIGHT/PIECE (LBS.) | QTY/BOX |
|--------------|--------|---------------------------|------------|-------|-------|-------|-------|-------|-------|-------|-------|-------|---------------------|---------|
| | | | A | B | C | D | E | F | G | H | I | J | | |
| XLRSB625 | 5/8" | 3-1/2 | 0.75" | 0.63" | 4.00" | 2.25" | 3.55" | 1.06" | 1.02" | 0.35" | 0.51" | 1.58" | 2.2 | 20 |
| XLRSB750 | 3/4" | 5 | 0.88" | 0.75" | 5.00" | 2.75" | 4.25" | 1.25" | 1.22" | 0.39" | 0.59" | 1.81" | 3.6 | 10 |
| XLRSB100 | 1" | 9-1/2 | 1.00" | 1.00" | 5.50" | 3.25" | 5.25" | 1.37" | 1.33" | 0.47" | 0.65" | 2.38" | 6.6 | 6 |
| XLRSB1250 | 1-1/4" | 14 | 1.38" | 1.25" | 6.25" | 3.88" | 6.37" | 1.94" | 1.92" | 0.59" | 0.73" | 3.06" | 12.8 | 4 |
| XLRSB1500 | 1-1/2" | 17 | 1.50" | 1.50" | 7.00" | 4.50" | 7.48" | 2.16" | 2.12" | 0.66" | 0.82" | 3.50" | 19.8 | 2 |
| XLRSB1750 | 1-3/4" | 25 | 2.00" | 1.75" | 8.00" | 5.25" | 8.75" | 2.70" | 2.67" | 0.80" | 1.05" | 4.00" | 32.2 | 1 |

Ultimate Load is 5 Times the Working Load Limit



DO NOT EXCEED WORKING LOAD LIMIT.

X100 by **ADVANTAGE** | www.AdvantageSales.biz | 800-216-2183