

# X100<sup>®</sup> ALLOY SCREW PIN LONG REACH SHACKLE

BY **ADVANTAGE**  
SALES & SUPPLY CO., INC.

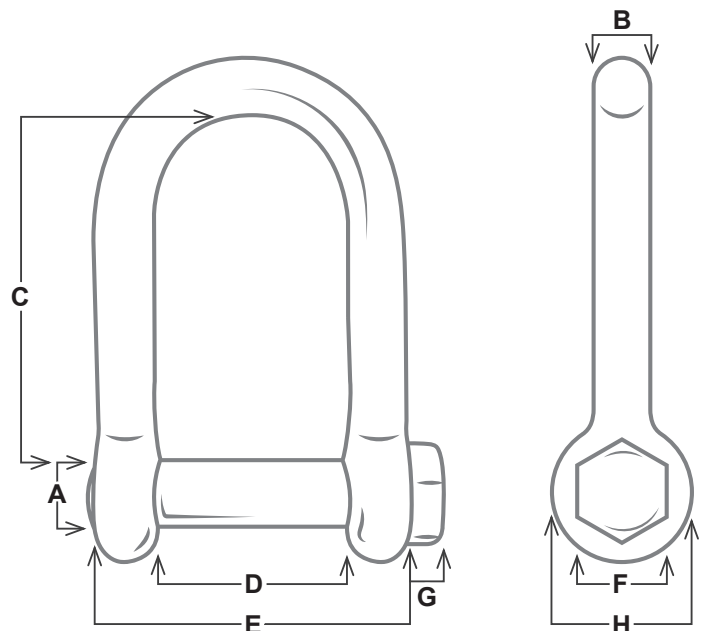


**APPROVED FOR OVERHEAD LIFTING**

- Approved for Overhead Lifting
- Meets ASME B30.26 Requirements
- 100% Forged Alloy Steel
- Design Factor of 5:1
- Markings: **X100** Brand, Size, Working Load Limit, Traceability
- Extended Bow: Designed for lifting applications that require an extended reach to connect to pick points
- Easily recognizable **X100 BLAZE ORANGE** Powder Coated which provides protection from corrosion, and enables full exposure of identification markings
- Hot Dip Galvanized prior to **BLAZE ORANGE** Powder Coating provides superior corrosion resistance
- Load should be evenly distributed over entire pin
- To achieve full Working Load Limit, 80% minimum pin coverage is required
- Long Reach Shackles should not be side loaded or point loaded

STOCK NUMBER	SIZE	WORKING LOAD LIMIT (TONS)	DIMENSIONS								WEIGHT/PIECE (LBS.)	QTY/BOX
			A	B	C	D	E	F	G	H		
XLRSP625	5/8"	3-1/2	0.75"	0.63"	4.00"	2.25"	3.55"	1.06"	0.35"	1.58"	2	20
XLRSP750	3/4"	5	0.88"	0.75"	5.00"	2.75"	4.25"	1.25"	0.39"	1.81"	3.2	10
XLRSP100	1"	9-1/2	1.00"	1.00"	5.50"	3.25"	5.25"	1.37"	0.47"	2.38"	6.2	6
XLRSP1250	1-1/4"	14	1.38"	1.25"	6.25"	3.88"	6.37"	1.94"	0.59"	3.06"	12	4
XLRSP1500	1-1/2"	17	1.50"	1.50"	7.00"	4.50"	7.48"	2.16"	0.66"	3.50"	19.2	2
XLRSP1750	1-3/4"	25	2.00"	1.75"	8.00"	5.25"	8.75"	2.70"	0.80"	4.00"	30.4	1

Ultimate Load is 5 Times the Working Load Limit



DO NOT EXCEED WORKING LOAD LIMIT.

X100 by **ADVANTAGE** | [www.AdvantageSales.biz](http://www.AdvantageSales.biz) | 800-216-2183

# X100<sup>®</sup> ALLOY BOLT TYPE LONG REACH SHACKLE

BY **ADVANTAGE**  
SALES & SUPPLY CO., INC.



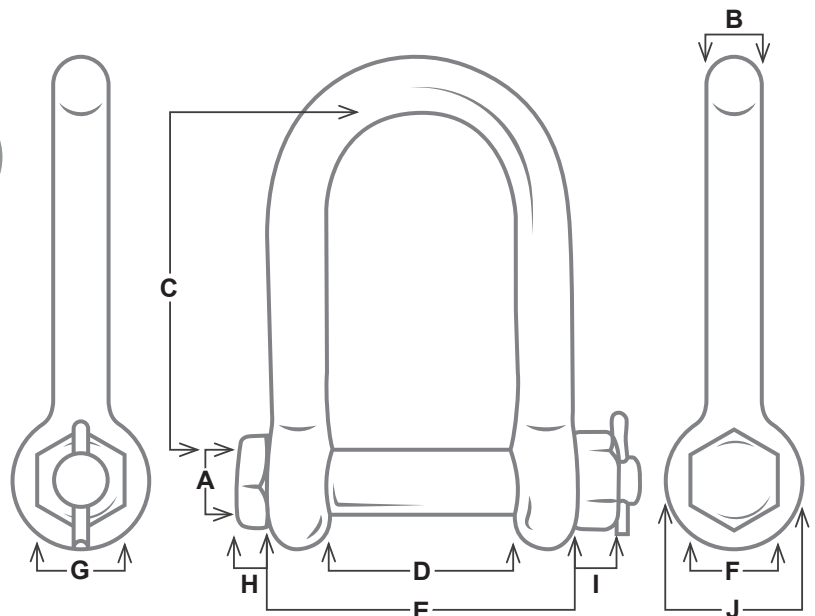
Includes Bolt, Nut, and Cotter Pin

**APPROVED FOR OVERHEAD LIFTING**

- Approved for Overhead Lifting
- Meets ASME B30.26 Requirements
- 100% Forged Alloy Steel
- Design Factor of 5:1
- Markings: **X100** Brand, Size, Working Load Limit, Traceability
- Extended Bow: Designed for lifting applications that require an extended reach to connect to pick points
- Easily recognizable **X100 BLAZE ORANGE** Powder Coated which provides protection from corrosion, and enables full exposure of identification markings
- Hot Dip Galvanized prior to **BLAZE ORANGE** Powder Coating provides superior corrosion resistance
- Load should be evenly distributed over entire pin
- To achieve full Working Load Limit, 80% minimum pin coverage is required
- Long Reach Shackles should not be side loaded or point loaded

STOCK NUMBER	SIZE	WORKING LOAD LIMIT (TONS)	DIMENSIONS										WEIGHT/PIECE (LBS.)	QTY/BOX
			A	B	C	D	E	F	G	H	I	J		
XLRSB625	5/8"	3-1/2	0.75"	0.63"	4.00"	2.25"	3.55"	1.06"	1.02"	0.35"	0.51"	1.58"	2.2	20
XLRSB750	3/4"	5	0.88"	0.75"	5.00"	2.75"	4.25"	1.25"	1.22"	0.39"	0.59"	1.81"	3.6	10
XLRSB100	1"	9-1/2	1.00"	1.00"	5.50"	3.25"	5.25"	1.37"	1.33"	0.47"	0.65"	2.38"	6.6	6
XLRSB1250	1-1/4"	14	1.38"	1.25"	6.25"	3.88"	6.37"	1.94"	1.92"	0.59"	0.73"	3.06"	12.8	4
XLRSB1500	1-1/2"	17	1.50"	1.50"	7.00"	4.50"	7.48"	2.16"	2.12"	0.66"	0.82"	3.50"	19.8	2
XLRSB1750	1-3/4"	25	2.00"	1.75"	8.00"	5.25"	8.75"	2.70"	2.67"	0.80"	1.05"	4.00"	32.2	1

Ultimate Load is 5 Times the Working Load Limit



DO NOT EXCEED WORKING LOAD LIMIT.

X100 by **ADVANTAGE** | [www.AdvantageSales.biz](http://www.AdvantageSales.biz) | 800-216-2183